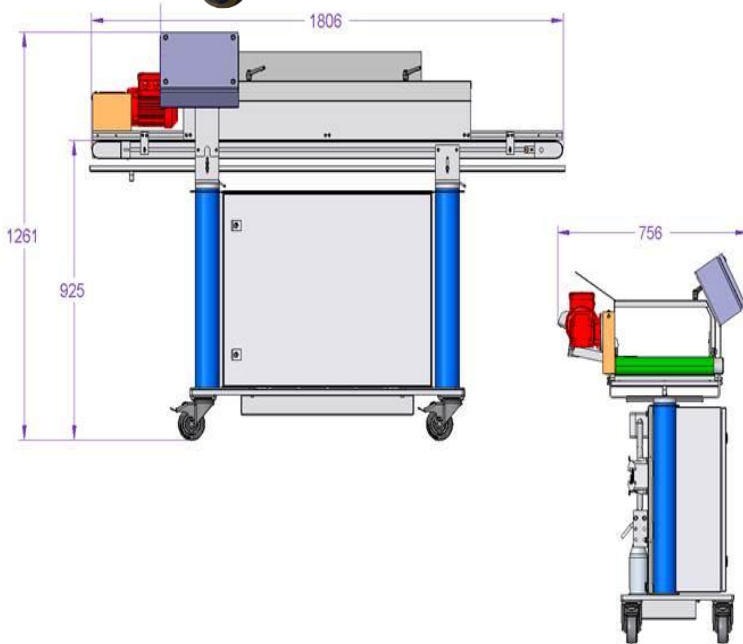


Counting Conveyor 12/13



Application

- Wherever quantity requirements have to be met
- After each press
- After each manufacturing process
- After each assembly process

Advantages

- Continuous operation ensures high throughput
- Avoids under- or over-delivery by precisely meeting quantity requirements
- **High availability due to**
 - cut- and oil resistant high-performance conveyor belt
 - fault- and function indicators on touch panel
- **Easy to set-up and flexible in use due to**
 - interlock-free operation
 - touch panel operation with memory for 100+ tools
 - freely programmable number of parts before change of conveying direction
 - freely programmable speed
 - freely programmable number of start-up scrap parts
 - mobile with heavy load castors with brakes and secure height adjustment
- **Energy efficient and safe due to**
 - Auto-Start when parts present or Auto-Stop after a pre-programmable period
 - Emergency stops for this self-contained machine
- CE marking

Technical Data

Model		12/13
Length of the parts	(mm)	0 - 700
Weight of the parts	(g)	2000
Conveyor height	(mm)	925 - 1125
Height adjustment of conveyor belt	(mm)	0 - 200 manual
Speed	(m/min)	0 - 80

Interface for e.g. ERP

- Profi Bus, Profi Net
- OPC-UA

Options

- Freely selectable conveyor belt material
- Sorting flap for numerous containers
- Additional counting conveyors
- Daisy-chaining counting conveyors
- Conveyor technology for fully automatic container filling

